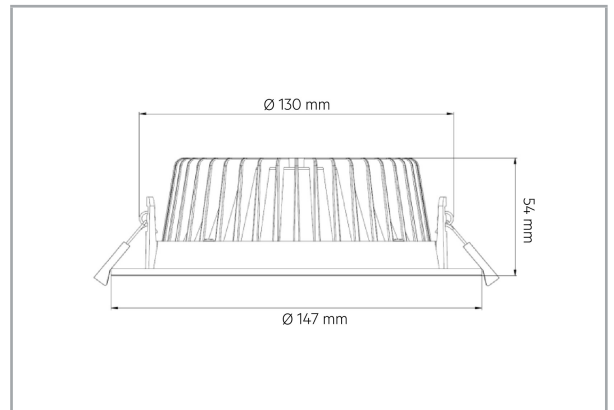


RECESSED DOWNLIGHT BASIC SERIES

RDB-130 | Recessed Downlight Basic - Round - 16 W - 1200 lm



COMPLIANCE

EN55015 | EN60598
EN62031 | EN62471



PHYSICAL CHARACTERISTICS

INSTALLATION	Ceiling Recessed
CUT-OUT SIZE	120 - 140 mm
DEPTH/HEIGHT	54 mm
LENGTH	n/a
WIDTH/DIAMETER	Ø 150 mm
CEILING THICKNESS RANGE	1-25 mm
FIXING SYSTEM	Spring Clips w/ Protection Sleeve
ADJUSTABILITY	Fixed design
IP-RATING	IP20
IK-RATING	IK02
FIXTURE MATERIAL	Die-Cast Aluminium
STANDARD FINISH	RAL 9010 Pure White
FINISH TYPE	Powder Coating, Struct.

ELECTRIC / PHOTOMETRIC DATA

LIGHT SOURCE	SMD (Surface Mounted Device)
CHROMATICITY TOLERANCE	4-Step MacAdam
INPUT CURRENT	210 mA
NOMINAL POWER	14,8 W
NOM LUMINOUS FLUX	1250 lm
NOMINAL EFFICACY	84 lm/W
SYSTEM POWER	16 W
LUMINAIRE LUMINOUS FLUX	1200 lm
SYSTEM EFFICACY	75 lm/W
COLOR RENDITION OPTIONS	Ra 80
COLOR TEMPERATURE OPTIONS	3000 K / 4000 K
BEAM ANGLE OPTIONS	100°
GLARE CONTROL	UGR < 22
CUT-OFF ANGLE	n/a
STANDARD DRIVER (non-dimmable)	AEG # K48-D2-19-210-1
DIMMING OPTION(S)	Switchable (non-dimmable)
DIMMABLE-DRIVER(S)	n/a

MISCELLANEOUS SPECIFICATIONS

ENERGY CLASS	A
MAINS VOLTAGE	220-240 V AC
FREQUENCY	50/60 Hz
SAFETY CLASS	III
ENVIRONMENTAL TEMP.	-20°C / +65°C
RATED SERVICE LIFE (h)	40.000 L80 B10
WARRANTY	5 years

* Given data applies to 3000 K Version. Correction Factor: 2700 K = 0,97 / 4000 K = 1,03

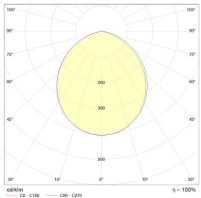
RECESSED DOWNLIGHT BASIC SERIES

RDB-130 | Recessed Downlight Basic - Round - 16 W - 1200 lm

DRIVER OPTIONS / SPECIFICATIONS

DRIVER (Brand / OEM #)	TYPE / DIMMING OPTIONS	DIMENSIONS (L x W x H)	OUTPUT POWER	OUTPUT CURRENT	POWER FACTOR	EFFICIENCY	RIPPLE CURRENT	NOMINAL LIFETIME
AEG # K48-D2-19-210-1	Switchable (non-dimmable)	153 x 69 x 38 mm	19 W	210 mA	0.85	88%	5%	40.000h

PHOTOMETRICS



OPTIONS / ACCESSORIES

Wieland Connectivity

PRODUCT / ITEM CODE SELECTION TABLE

QUICK REF.	PRODUCT	VERSION	CUT-OUT	CCT	OUTPUT	CRI	BEAM	DRIVER	LUMINAIRE FINISH
RDB-130	RECESSED DOWNLIGHT BASIC	ROUND FIXED	Ø 120 - 140 mm	3000 K	1200 lm	Ra80	100°	SWITCHABLE non-dimmable	PURE WHITE RAL 9010 Textured Surface
	[D2]	[0130]	[40]	4000 K	1235 lm				

Wattage and lumen values may vary by +/- 10% due to thermal effects, driver losses, output current tolerances and voltage variations. Technical specifications are subject to change without notice.